

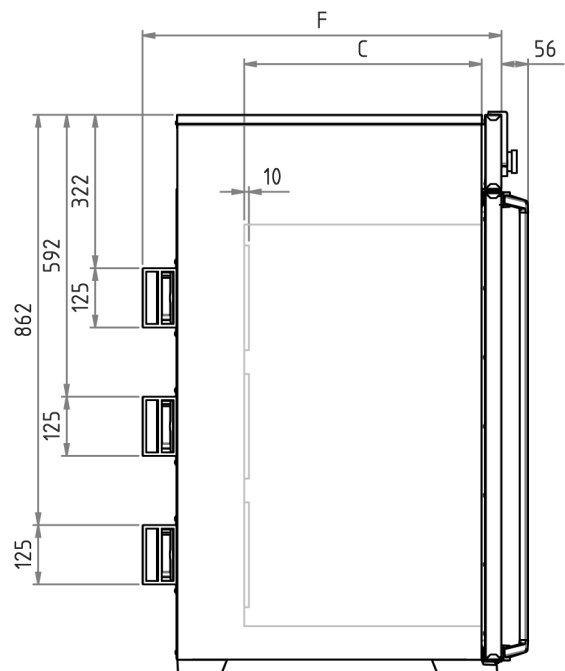
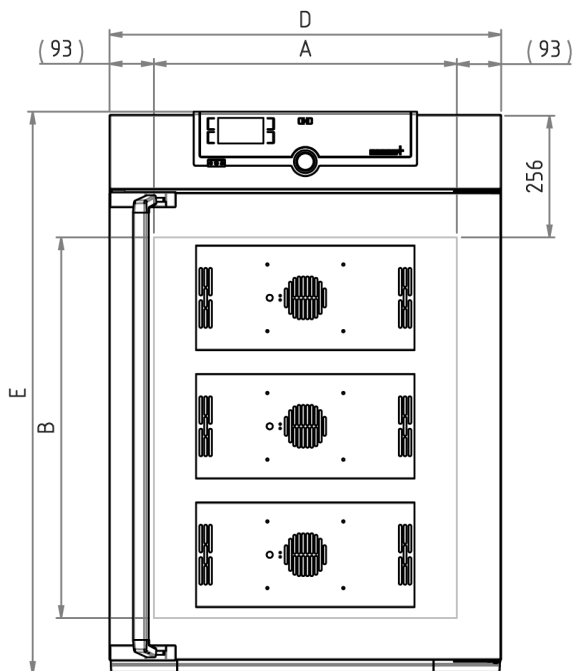


Constant climate chamber HPP260

Our constant climate chamber is tailored to environmental simulation, material testing and stability testing in accordance with the ICH guidelines.



On this page, you can find all the essential technical data on the Memmert stability chamber HPP. Our customer relations team will be pleased to help if you want further information. If you should require a customised special solution, please contact our technical specialists at myAtmoSAFE@memmert.com.



Temperature

Working temperature range without light: from 0°C to +70°C

Working temperature range with light: from +15°C to +40°C

Setting accuracy temperature 0.1°C

Temperature 2 Pt100 sensors Class A in 4-wire-circuit, mutually monitoring and taking over the performance at the same temperature value

Humidity

Setting range humidity 10 - 90 % rh

Setting accuracy humidity 0.5 %

Humidity humidity supply with distilled water from external tank by self-priming pump

Humidification humidification by hot steam generator

Dehumidification dehumidification by cold trap using the Peltier technology

Control technology

ControlCOCKPIT TwinDISPLAY. Adaptive multifunctional digital PID-microprocessor controller with 2 high-definition TFT-colour displays.

Language setting German, English, Spanish, French, Polish, Czech, Hungarian

adjustable parameters temperature (Celsius or Fahrenheit), relative humidity, programme time, time zones, summertime/wintertime

Timer Digital backwards counter with target time setting, adjustable from 1 minute to 99 days

Function HeatBALANCE adapting the distribution of the heating performance of the upper and lower heating circuit from -50 % to +50 %

Function SetpointWAIT the process time does not start until the set temperature is reached

Calibration three freely selectable temperature values, 2-point calibration for humidity: 20 and 90 % rh

Communication

Interface Ethernet LAN, USB

Documentation programme stored in case of power failure

Programming AtmoCONTROL software on a USB stick for programming, managing and transferring programmes via Ethernet interface or USB port

Safety

Temperature control over- and undertemperature monitor TWW, protection class 3.3 or adjustable temperature limiter TWB, protection class 2, selectable on display

AutoSAFETY additionally integrated over- and undertemperature protection "ASF", automatically following the setpoint value at a preset tolerance range, alarm in case of over- or undertemperature, heating function is switched off in case of overtemperature, cooling function in case of undertemperature

Autodiagnostic system integral fault diagnostics for temperature and humidity control

Alarm visual and acoustic

Heating concept

Peltier	energy-saving Peltier heating-/cooling system integrated in the rear (heat pump principle)
----------------	--

Standard equipment

Internals	2 stainless steel grid(s), electropolished
Standard accessories	Water tank including connection hose
Works calibration certificate	standard values +10 °C and +37 °C, 60 % rh at +30 °C
Door	fully insulated stainless steel door with 2-point locking (compression door lock)
Door	inner glass door

Stainless steel interior

Volume	256 l
Dimensions W x H x D in mm	$w_{(A)} \times h_{(B)} \times d_{(C)}$: 640 x 800 x 500 mm
Max. number of internals	9
Max. loading of chamber	200 kg
Max. loading per internal	20 kg

Textured stainless steel casing

Dimensions	$w_{(D)} \times h_{(E)} \times d_{(F)}$: 824 x 1183 x 774 mm
Housing	rear zinc-plated steel

Electrical data

Voltage	230 V, 50/60 Hz
Electrical load	approx. 920 W
Voltage	115 V, 50/60 Hz
Electrical load	approx. 920 W

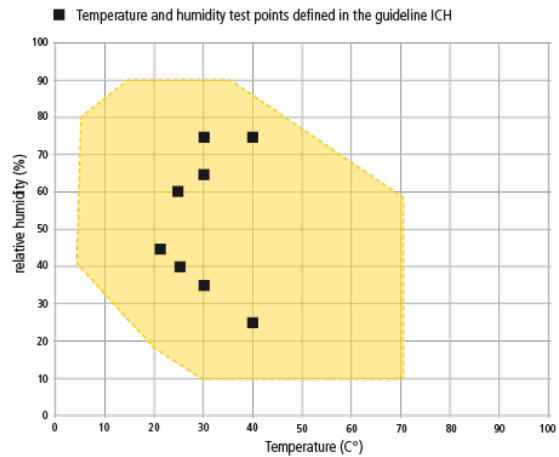
Packing/shipping data/Setting Up

Set Up	The distance between the wall and the rear of the appliance must be at least 15 cm. The clearance from the ceiling must not be less than 20 cm and the side clearance from walls or nearby appliances must not be less than 5 cm.
Transport information	The appliances must be transported upright
Customs tariff number	8419 8998
Country of origin	Federal Republic of Germany
WEEE-Reg.-No.	DE 66812464
Dimensions approx incl. carton	B x H x T: 930 x 1380 x 930 mm
Net weight	approx. 122 kg
Gross weight carton	approx. 173 kg

Temperature-humidity working range HPP

Not all climate chambers are the same. The humidity content of the chamber load, the ambient conditions and the respective temperature-humidity working range are decisive factors in the selection of the right appliance. In the adjacent diagram, you can see the possible temperature/humidity combinations for our constant climate chamber HPP.

Within the respective temperature-humidity range, condensation-free permanent operation is possible. To which extent condensation may occur in the threshold range depends on the humidity content of the chamber load and the ambient conditions.



Temperature-humidity working range HPP
HPP110 - HPP1060 without light

Standard units are safety-approved and bear the test marks

